



Commercial Solutions

TITAN™ 315C3 315 litre three element



Technical information

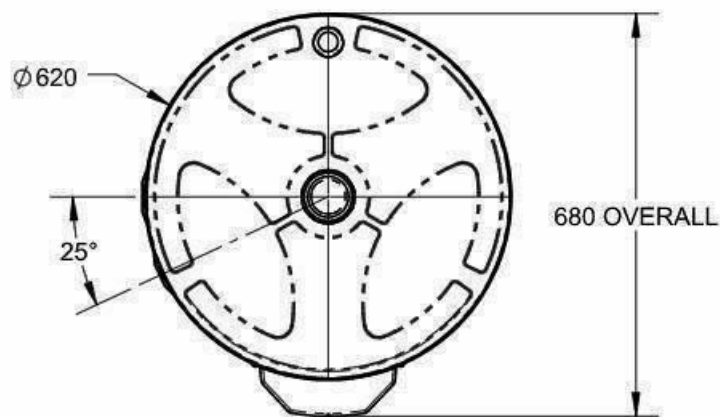
Tank warranty.....5 years
 Parts and labour warranty..... 1 year
 Storage capacity 321 litres
 Delivery rating 315 litres
 Net weight empty 99 kg
 Maximum water supply pressure..... 800 kPa
 Relief valve pressure..... 1000 kPa
 Water connections..... RP32 32mm (1¼" BSP) female
 Maximum thermostat setting..... 80°C
 Connections Left-handed
 Tank lining..... **Commercial grade Y class**

Individual heating elements size	3.6 kW	4.8 kW	6.0 kW
Service (per phase)	30 Amps	40 Amps	50 Amps
Recovery raised 50°C	352 L/hr	469 L/hr	586 L/hr

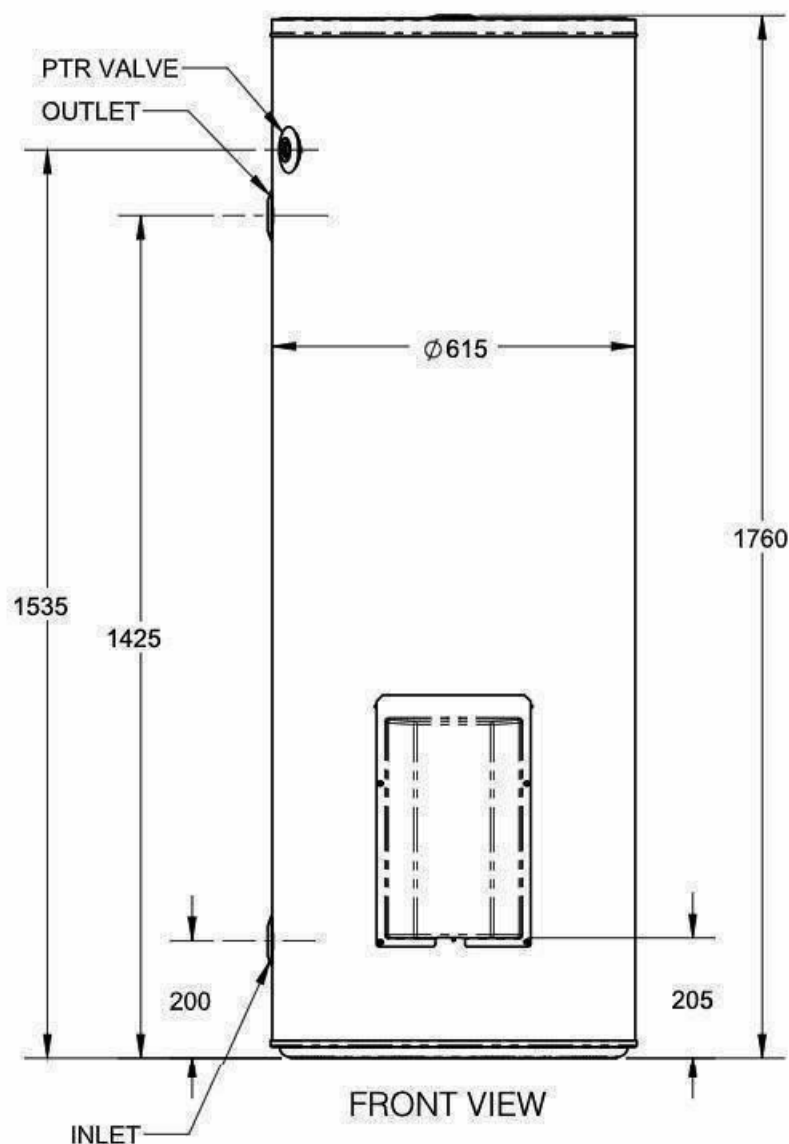
Electrical Connection (3 phase) 415V AC



TITAN™ 315C3 315 litre three element



TOP VIEW



FRONT VIEW

Specification

The water heater shall be a DUX® model 315C3 suitable for mains pressure water supply.

The storage cylinder shall be constructed of high quality low carbon steel with butt-welded joints and positive domes.

The storage cylinder shall be lined with **commercial grade Y class** enamel suitable for operation up to 80°C.

Internal anodic corrosion protection shall be provided.

The water heater shall be completely insulated with high density polyurethane insulation and protected by a sealed Colorbond® metal case with access to the electrical element and thermostat.

Electric immersion type, bolt mounted, heating element shall be fitted with an energy rating of _____ Watts and controlled by an adjustable surface mounted thermostat complete with integral high temperature safety cut-out.

Local authority requirements

This product should be installed by a qualified plumber. Local Authority, Water Board and Building Regulations may apply to installation of this product, and you should consult the appropriate bodies on these requirements. Failure to comply may invalidate the product warranty.



Designed for heavy demand commercial and industrial applications

All dimensions are in mm and subject to normal manufacturing tolerances. To ensure complete accuracy please check actual product dimensions. The manufacturer reserves the right to alter specifications without notice.